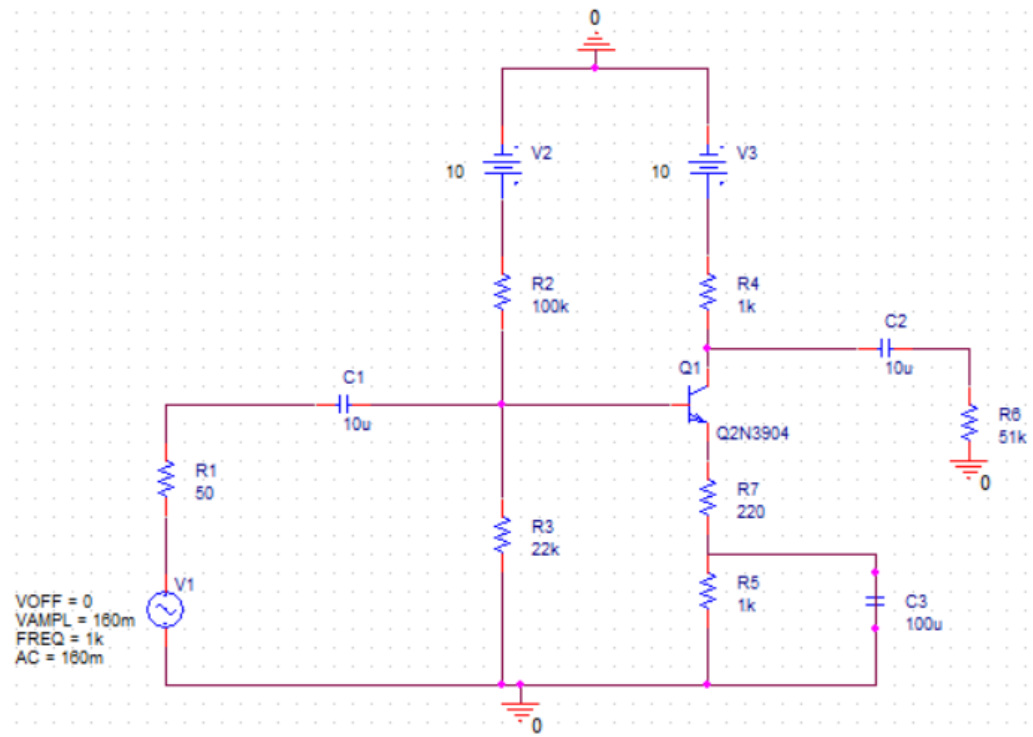
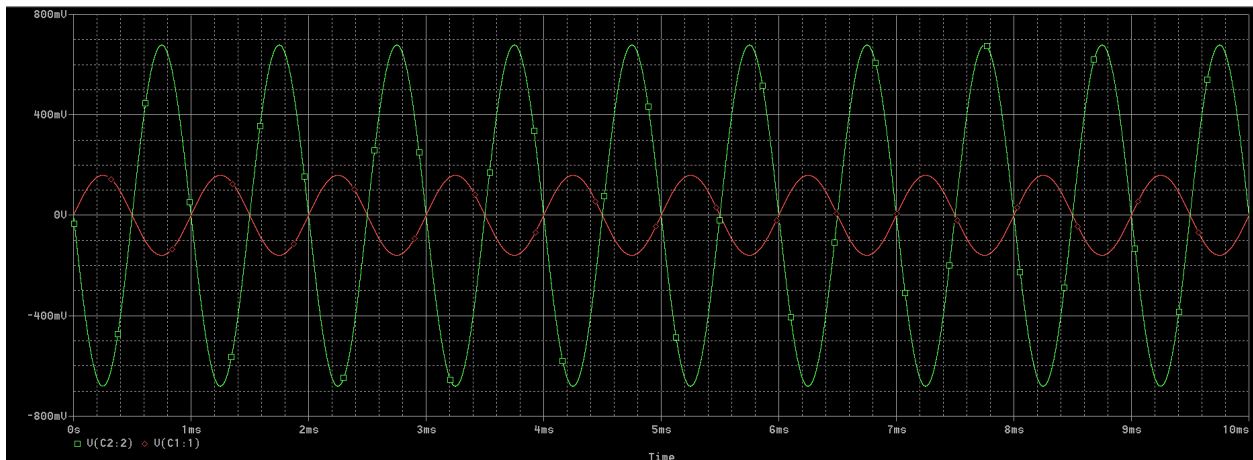


Prelab 8 Circuits 4300
 Anna Behm 202005872



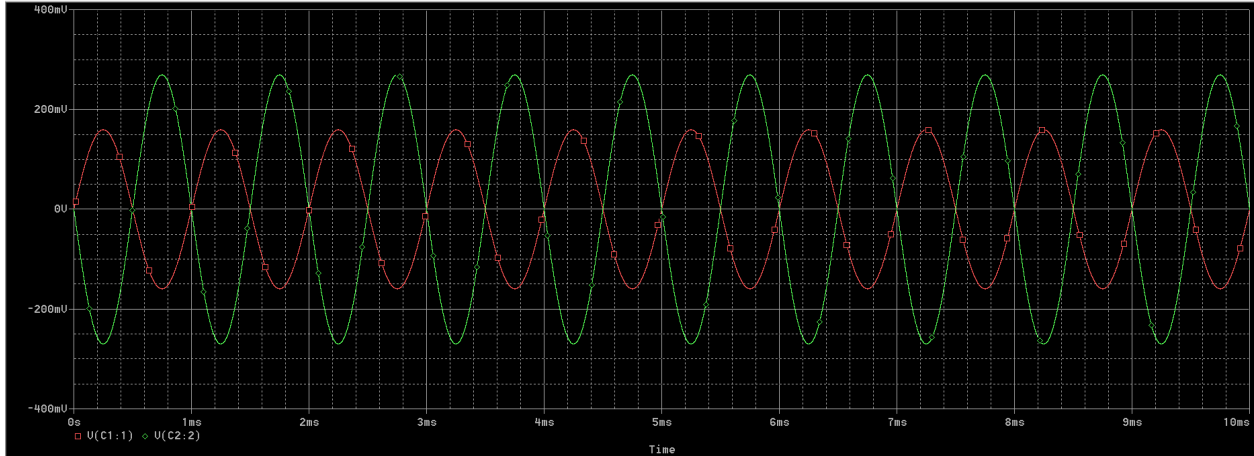
1.1.2



1.2.2 Midband frequency gain $(v_o/v_s) = 678.165\text{mV}/159.351\text{mV} = 4.2557$

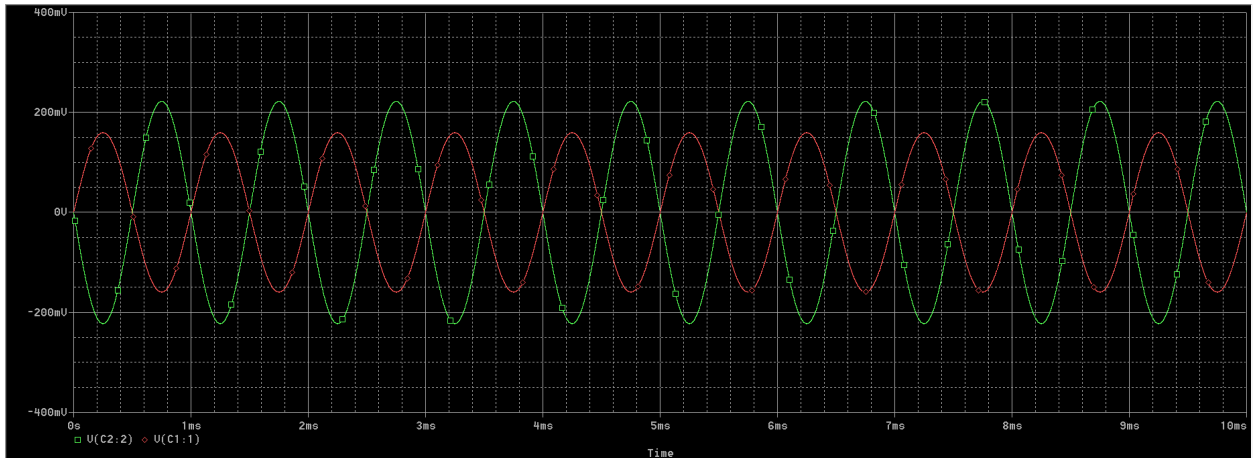
1.2.3

RE1 = 560



$$v_o/v_s = 269.384\text{mV} / 159.476\text{mV} = 1.68918$$

RE1: 680



$$v_o/v_s = 222.121\text{mV} / 159.491\text{mV} = 1.3926$$

1.2.4:

